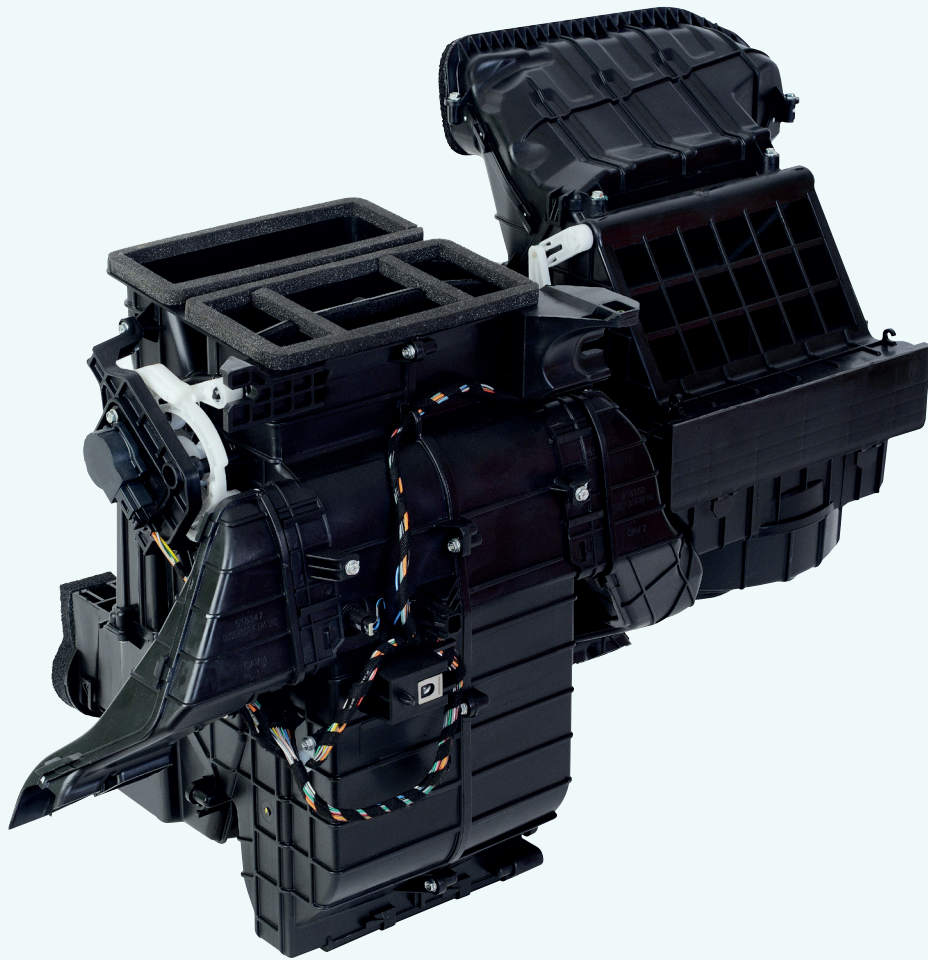


# Compact Efficient HVAC Module



## ESTRA Advantage

- Close interaction with customers to deliver timely, flexible and cost competitive solutions
- Proven modular designs guarantee outstanding performance and efficiency

## Features

- Unique arrangement and style of valves for excellent air mixing or stratification as needed for comfort
- Passive “partial recirculation” available to improve heating performance
- PM 2.5  $\mu\text{m}$  filter for fine particle filtration
- Many actuation methods including push/pull and pull/pull cables plus feedback, stepper and pulse count electric actuators

## Customer Benefits

- Compact design enhances space in vehicle
- Low mass improves fuel efficiency and reduces vehicle emissions
- Optimized module design lowers power consumption
- Simple assembly improves quality & durability