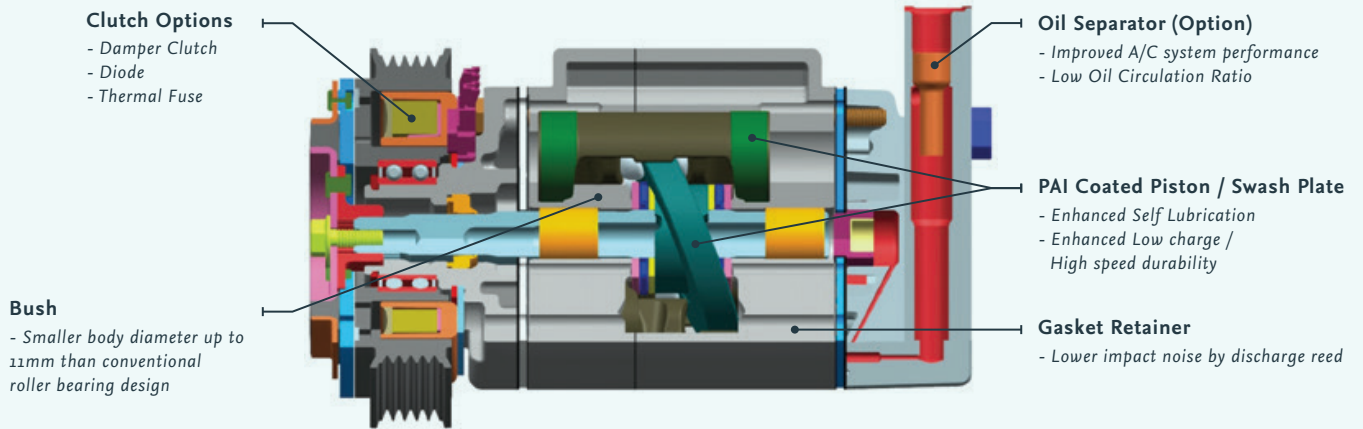


Fixed Swashplate Compressor - New generation



ESTRA Advantage

- Best in class on mass and size (Body diameter & length)
- Superior durability and dry start performance
- Enhanced NHV performance

Features

- 10 cylinder fixed swash plate
- 91mm body diameter with bush
- PAI Coated Piston / Swash Plate
- Gasket retainer

Customer Benefits

- Improved A/C performance with oil separator
- Enhanced low charge and high speed durability
- Enhanced NVH performance



NSP11



NSP12



NSP13

MODEL	NSP09	NSP11	NSP12	NSP13
Displacement (cc/rev)	87	110	126	133
Length (mm)	169	173	176	177
Diameter (mm)	91	91	91	91
Weight, w/clutch (kg)	4.4	4.5	4.5	4.5
Max Speed (rpm)	10,500	10,500	10,500	10,500
Cooling Capacity (kW)	4.2	5.3	6.2	6.2
Torque (N.m)	8.6	10.9	13	13.5