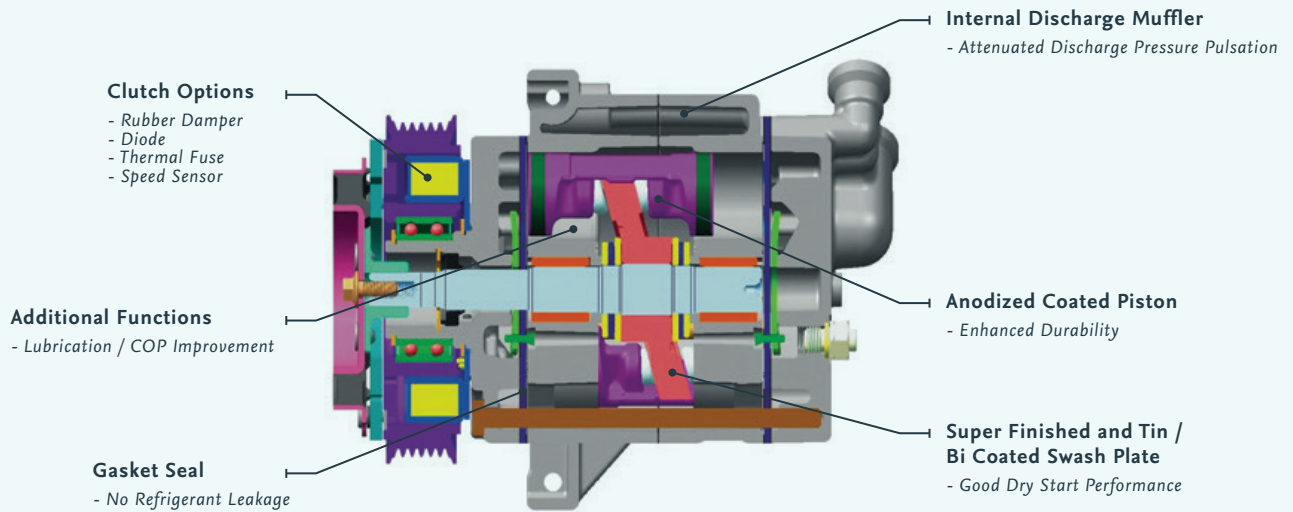


Fixed Swashplate Compressor



ESTRA Advantage

- High efficiency
- Superior durability
- Enhanced NHV performance

Features

- Swash Plate type, Fixed Displacement compressor
- Enhanced noise & vibration with internal discharge muffler
- Improved reliability without refrigerant leak through gasket sealing
- Clutch option: Damper Clutch Decay Diode, Thermal Fuse, Speed Sensor

Customer Benefits

- Compact size and light weight
- Low noise and vibration
- High speed capability up to 10,500 rpm
- High reliability



CSP11



CSP15



CSP17



CSP20

MODEL	CSP09	CSP11	CSP13	CSP15	CSP17	CSP20
Displacement (cc/rev)	87	110	135	151	173	210
Length (mm)	164	172	191	191	203	217
Diameter (mm)	102	102	110	110	110	110
Weight, w/clutch (kg)	4.1	4.2	5.5	5.6	5.8	5.9
Max Speed (rpm)	10,500	10,500	10,500	10,500	10,500	10,500
Cooling Capacity (kW)	4.2	5.3	6.3	6.9	7.7	9.4
Torque (N.m)	9.1	11.6	13.9	15.3	17.4	22.2