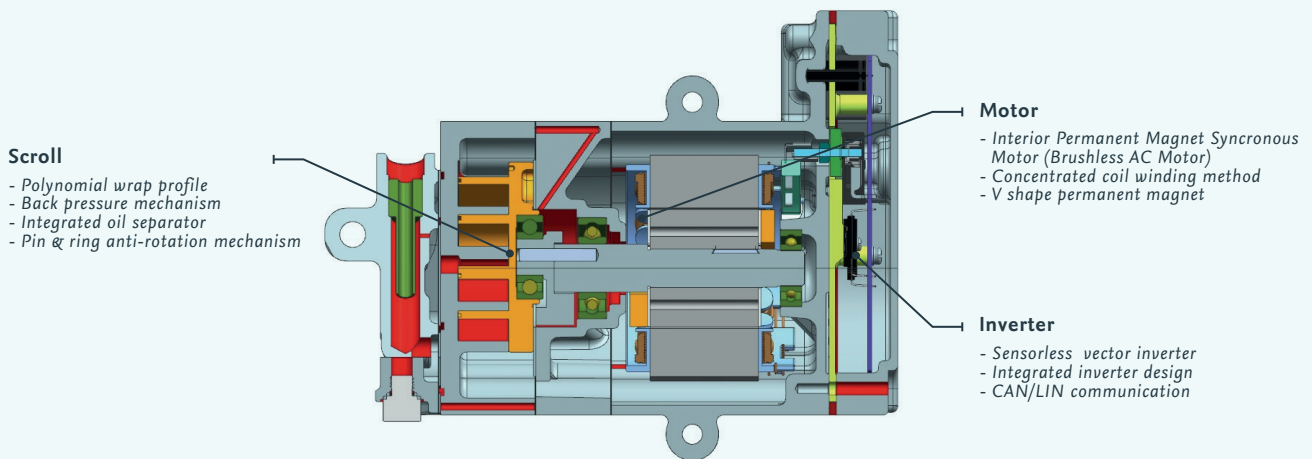


Electric Compressor (ESR)



ESTRA Advantage

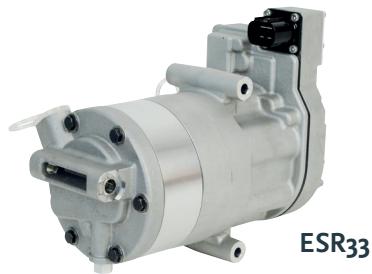
- High efficiency optimized scroll & motor design
- Enhanced NHV performance with balanced mechanism

Features

- Wide speed operating range
- High efficiency & low torque ripple motor design
- Reliable motor control algorithm

Customer Benefits

- Improved fuel efficiency
- Enhanced NVH Performance
- Self diagnostic algorithm



	<u>MODEL</u>	<u>ESR33</u>
MECHANICAL	Displacement (cc/rev)	33
	Length (mm)	220
	Diameter (mm)	122
	Weight, w/clutch (kg)	6.2
	Max. Cooling Cap. (kW)	8.0kW@9.0k rpm
	Refrigerant Torque (N.m)	R134a / R1234yf
ELECTRICAL	Operating Speed (rpm)	600 ~ 9,000
	Voltage range (Vdc)	150 ~ 440
	Rated Speed (rpm)	6,000
	Rated Power (kW)	4.3
	Rated Torque (N.m)	6.8
	Inverter (Vdc)	Sensorless vector inverter